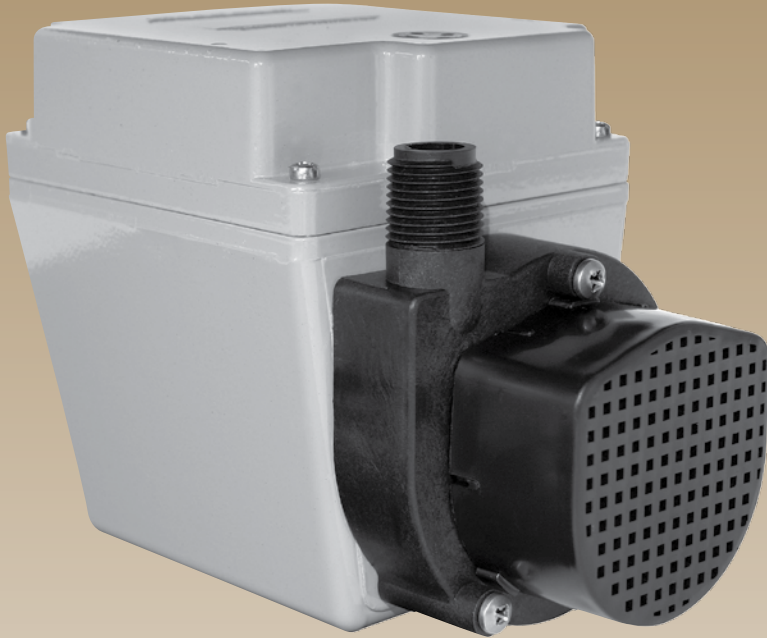


Industrial

3E-34N Series



Features

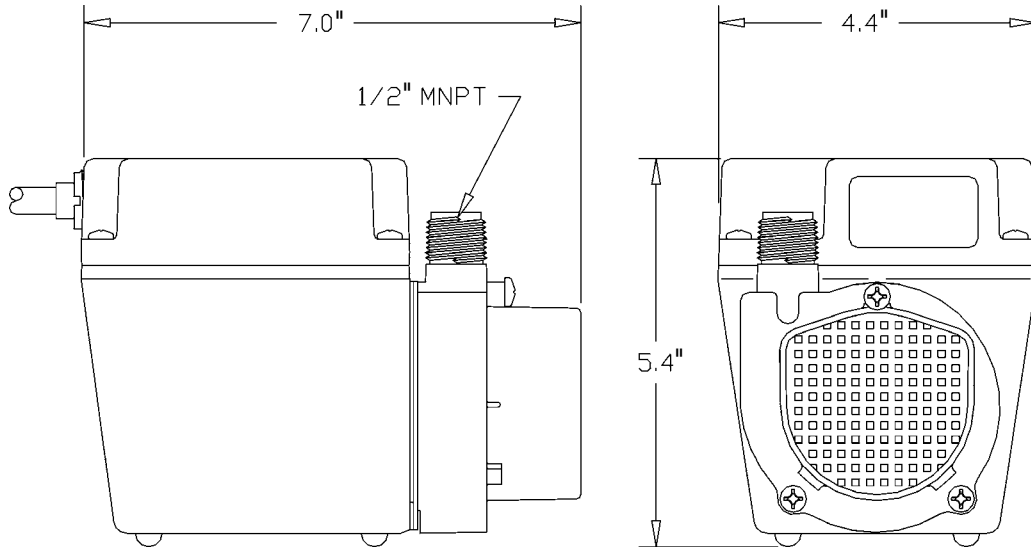
- For submersed or in-line use
- Epoxy-coated die-cast aluminum housing
- Oil-filled motor
- 20.3' maximum lift
- 208 watts
- 1/2" MNPT discharge
- Thermal overload protection

Construction

- Motor: 1/15 hp oil-filled
- Intermittent Liquid Temp. up to - 120° F
- Intake: 3/4" FNPT
- Discharge: 1/2" MNPT
- Housing: Epoxy-coated cast aluminum
- Cover: Epoxy-coated cast aluminum
- Volute: Nylon
- Impeller: Nylon
- Shaft Seal: Fluoroelastomer (FKM)
- Screen: Polypropylene

LittleGIANT.

Dimensional Outline

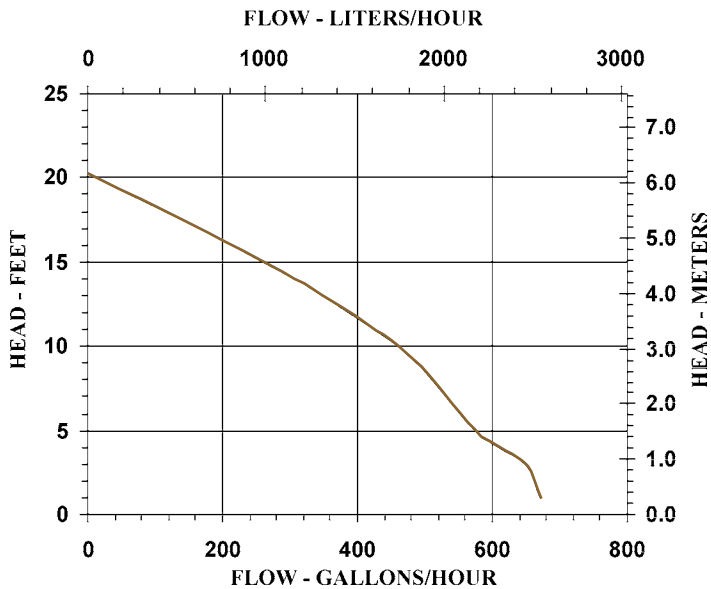


Engineering Data

Model No.	Item No.	Discharge	Intake	HP	Volts	Hz	Amps	Watts	Performance (GPH@Head)				Shutoff		Cord Length (ft)	Weight (lbs.)
									1'	3'	5'	10'	Ft	PSI		
3E-34N	503603	1/2" MNPT	3/4" MNPT	1/15	115	60	3.2	200	670	650	575	460	20.3	8.8	10	4.83

Volute	103337
Impeller	103437
Screen	102376
Gasket	103601

Performance Data



P.O. Box 12010
 Oklahoma City, OK 73157-2010
 Phone: 1.800.701.7894
 Fax: 1.800.678.7867
www.franklinwater.com