

# Wastewater

## Simplex Package Systems

9S-SMPXRT-K Polyethylene "Roll-Top" Basin Design 10S-SMPXRT-K



### Applications

- Little Giant Simplex Package Systems with polyethylene "Roll-Top" basins are ideal for homes, light commercial, industrial and agricultural applications as well as the collection of sewage, effluent, drainage and seepage water

### Pump Features

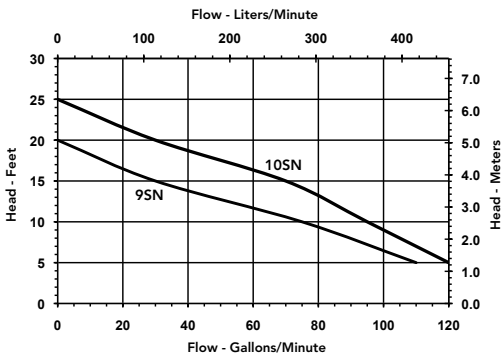
- 4/10 hp or 1/2 hp motor with thermal overload protection sewage pump options available
- Cast iron pump housing with protective epoxy coating for corrosion resistance
- Oil-filled motor housings for lifetime lubrication and rapid heat dissipation
- Stainless steel screws, bolts and handle
- Mechanical seals (stainless steel spring, nitrile parts, carbon and ceramic faces)
- Handles liquids and solid waste materials

### Basin Features

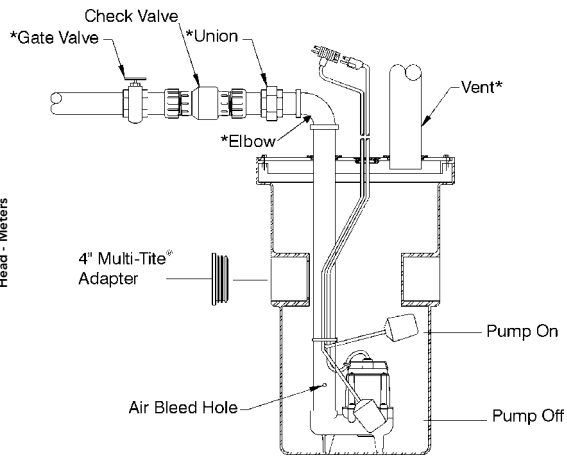
- 18" x 30" polyethylene basin with structural foam one-piece cover
- Sturdy roll-top design
- Full flow check valve (except on noted models)
- 28" schedule 80 PVC discharge nipple with predrilled air-bleed hole
- 4" molded inlet hub
- Multi-Tite® insert for PVC or cast iron inlet pipe
- Molded inserts on bottom of basin to locate and secure pump
- Available pre-packaged or pre-assembled

**LittleGIANT®**

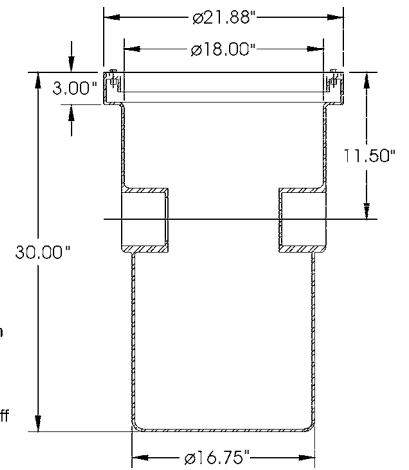
## Dimensional Outline



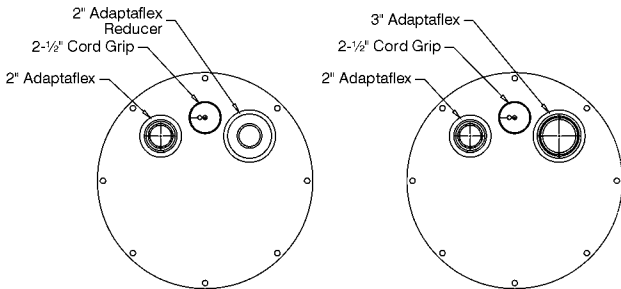
95N-CIA-RF/105N-CIA-RF  
PERFORMANCE CURVE



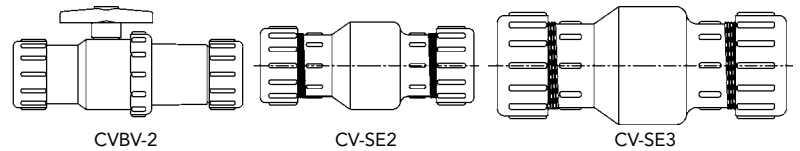
TYPICAL INSTALLATION  
\*Items not Included



BASIN DETAIL  
P/N 113056



COVER DETAIL  
P/N 113058



## Specifications

Item Number	Model Number	Pre-Assembled/ Pre-Packaged	Pump Catalog Number	Discharge Pipe	Check Valve
*† 509067	9S-SMPXRT-K	Pre-Assembled		2"	CVBV-2
509068	9S-SMPXRT-K	Pre-Packaged	509204	2"	N/A
509069	9S-SMPXRT-K	Pre-Packaged	509215	3"	N/A
† 509071	9S-SMPXRT-K	Pre-Assembled	509204	2"	CVBV-2
† 509072	9S-SMPXRT-K	Pre-Packaged	509204	2"	CVBV-2
509073	9S-SMPXRT-K	Pre-Assembled	509204	2"	CV-SE2
509074	9S-SMPXRT-K	Pre-Packaged	509204	2"	CV-SE2
509075	9S-SMPXRT-K	Pre-Assembled	509215	3"	N/A
509076	9S-SMPXRT-K	Pre-Packaged	509215	3"	N/A
509077	9S-SMPXRT-K	Pre-Assembled	509215	3"	CV-SE3
509078	9S-SMPXRT-K	Pre-Packaged	509215	3"	CV-SE3
*509079	9S-SMPXRTA-K	Pre-Assembled	509204	2"	CV-SE2
511064	10S-SMPXRT-K	Pre-Assembled	511323	2"	CV-SE2
511065	10S-SMPXRT-K	Pre-Packaged	511323	2"	CV-SE2
*511079	10S-SMPXRTA-K	Pre-Packaged	511323	2"	CV-SE2
511121	10S-SMPXRT-K	Pre-Packaged	511344	3"	CV-SE3

\* — Includes HWAB High Water Alarm C/N 513288

† — Includes CVBV-2 PN 599160, check/ball valve combination



P.O. Box 12010  
Oklahoma City, OK 73157-2010  
Phone: 1.800.701.7894  
Fax: 1.800.678.7867  
www.LittleGiantPump.com

