

Wastewater

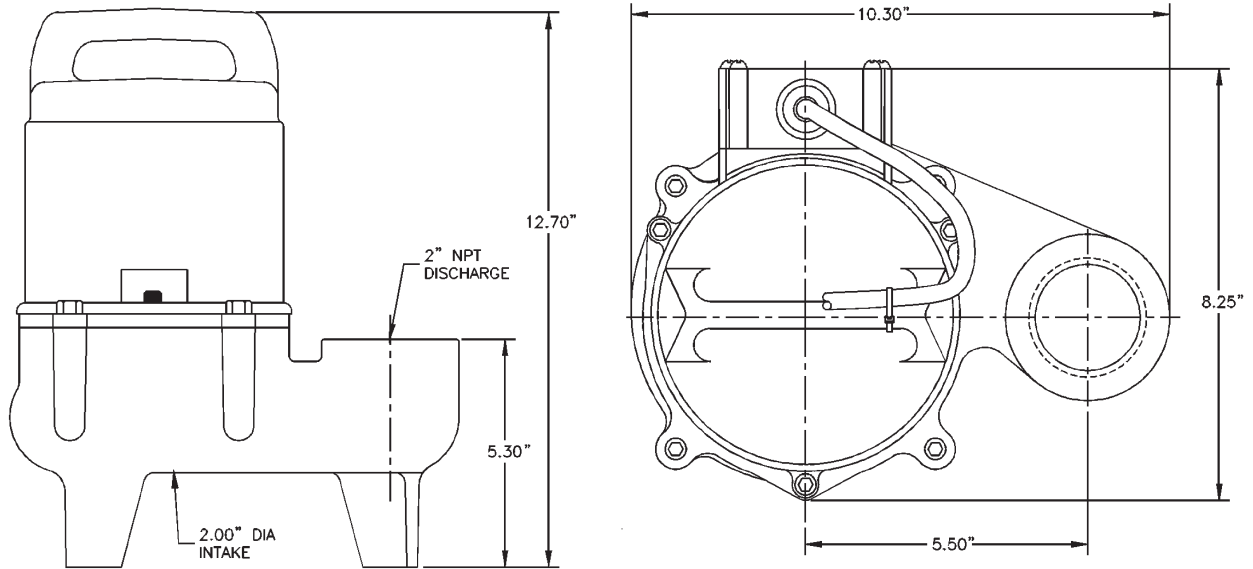
10S-CIM Series



Features

- Handles liquids and solid waste materials up to 2" diameter
- Cast iron pump housing and volute with protective epoxy coating for corrosion and rust resistance
- Oil-filled motor housing for lifetime lubrication and rapid heat dissipation
- Stainless steel fasteners
- Mechanical seals (stainless steel spring, nitrile parts, carbon and ceramic faces)
- Thermal overload protection
- All models are UL/CSA listed (except 127V version)

Dimensional Outline



Specifications

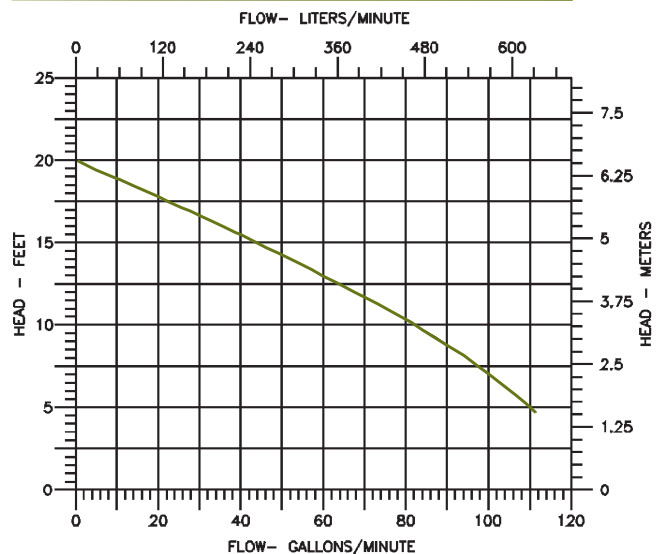
Model No.	Item No.	Listing	HP	Volts	Solids Size (Dia. in.)	Running Amps/Watts	Performance (GPM@Head)			Shut Off		Cord Length (ft.)	Weight (lbs.)	Dimensions H x L x W (in.)
							5'	10'	15'	Feet	PSI			
10S-CIM	511400	UL/CSA	1/2	115	2	12/1000	110	85	45	20	8.7	15	44	12.70 x 10.3 x 8.25
10S-CIM	511501	—	1/2	127	2	12/1000	150	100	54	20	8.7	15	44	12.70 x 10.3 x 8.25
10S-CIM*	511450	UL/CSA	1/2	115	2	12/1000	110	85	45	20	8.7	15	46	12.70 x 11.5 x 8.25
10S-CIM	511475	UL/CSA	1/2	208/230	2	6.6/1100	110	85	45	20	8.7	15	44	12.70 x 10.3 x 8.25
10S-CIM*	14940725	UL/CSA	1/2	208/240	2	6.6/1100	110	85	45	20	8.7	15	46	12.70 x 11.5 x 8.25

*3" discharge

Construction

Motor Housing	Epoxy Coated Cast Iron
Impeller Material	Nylon
Impeller Type	Vortex
Volute	Epoxy-Coated Cast Iron
Power Cord	SJTW
Mechanical Shaft Seal	Nitrile parts with carbon and ceramic faces
Fasteners	Stainless steel
Shaft	Steel
Bearings	Upper & lower ball bearings

Performance Data



Franklin Electric

P.O. Box 12010
 Oklahoma City, OK 73157-2010
 Phone: 1.800.701.7894
 Fax: 1.800.678.7867
 www.LittleGiantPump.com



©2007 Franklin Electric Co., Inc.
 Little Giant® is a registered trademark of Franklin Electric Co., Inc.
 Form 994344 — 11/07