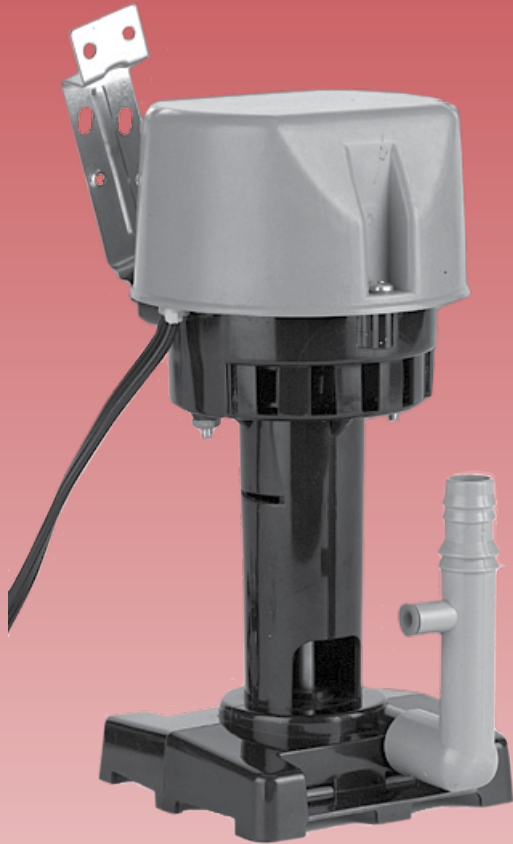


## CP Series



CP1 Series — 5,000 – 7,000 CFM  
CP2 Series — 7,500 – 15,000 CFM  
CP3 Series — 15,000 – 21,000 CFM

### Applications

- For use in evaporative coolers, sales displays, laboratories, water bath circulation and many other uses. Ideal as a universal OEM replacement pump

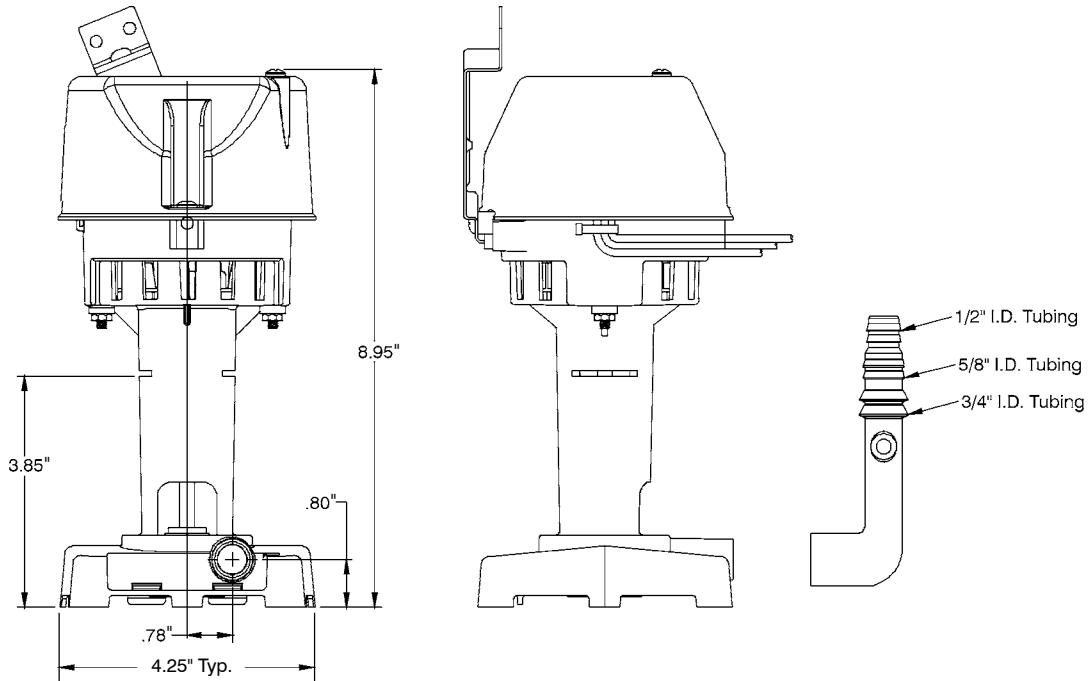
### Features

- Heavy-duty, dual copper coil, concentric fan-cooled motor
- Oversized sleeve bearings
- Moisture proof windings
- Thermally protected
- Corrosion resistant steel shaft
- Mesh inlet debris filter screen
- Removable base plate for easy cleaning
- Flame retardant housing and motor cover
- Removable and locking 90° discharge adapter with 3/8" O.D. bleed-off port
- Discharge designed for:
  - CP1: 1/2" and 5/8" tubing
  - CP2 and CP3: 5/8" and 3/4" tubing
- Low level pump down and recovery
- 3-way universal mounting configuration:
  - Top/motor cap mounting
  - Column mounting slots (use existing equipment bracket)
  - Side mounting using steel bracket (included)
- Liquid temperature up to 120 °F
- 4 ft power cord with 3-prong plug

### Construction

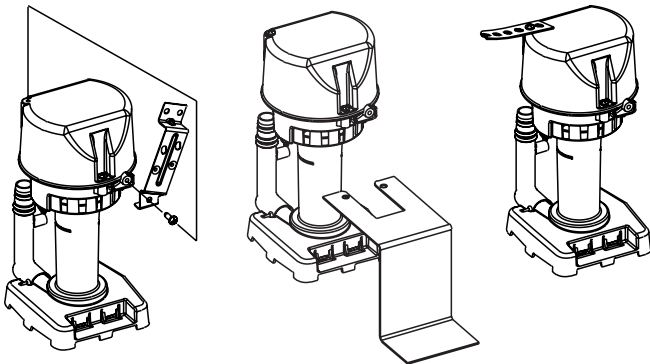
Motor: Heavy duty fan cooled  
Housing: Flame retardant thermal plastic  
Motor cover: Flame retardant thermal plastic  
Volute: Flame retardant thermal plastic  
Impeller: Polyester  
Mounting bracket: Galvanized steel

## Dimensional Outlines

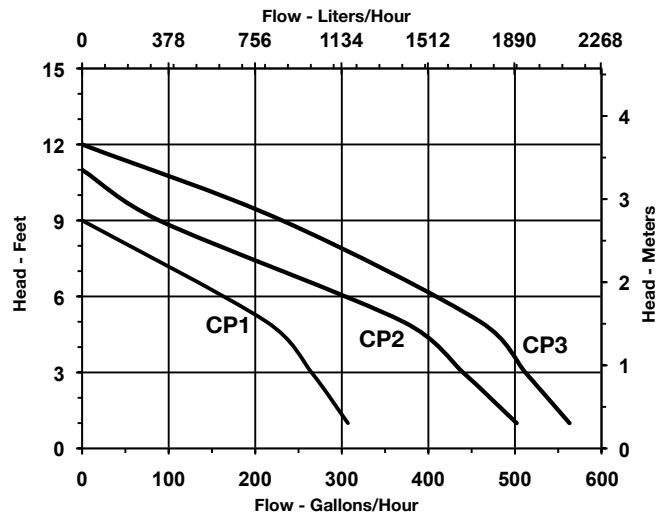


## Specifications

Item No.	Model No.	Discharge	HP	Volts	Hertz	Amps	Watts	Performance (GPH @ Head)				Shut Off	PSI	Power Cord	Weight
								1'	3'	5'	10'				
540005	CP1-115	1/2", 5/8", 3/4"	1/70	115/127	60	.8	70	307	265	213	—	9.5	4.1	4	2.5
540015	CP1-230	1/2", 5/8", 3/4"	1/70	230	50/60	.4	70	307	265	213	—	9.5	4.1	4	2.5
541005	CP2-115	5/8", 3/4"	1/50	115	60	1.0	80	502	440	371	89	11	4.8	4	3.0
541015	CP2-230	5/8", 3/4"	1/50	230	50/60	.5	80	502	440	371	89	11	4.8	4	3.0
542005	CP3-115	5/8", 3/4"	1/30	115	60	1.1	90	563	512	460	231	12	5.2	4	3.5
542015	CP3-230	5/8", 3/4"	1/30	230	50/60	.56	90	563	512	460	231	12	5.2	4	3.5



## Performance Data



Franklin Electric  
 P.O. Box 12010  
 Oklahoma City, OK 73157-2010  
 Phone: 1.800.701.7894  
 Fax: 1.800.678.7867  
 www.LittleGiantPump.com